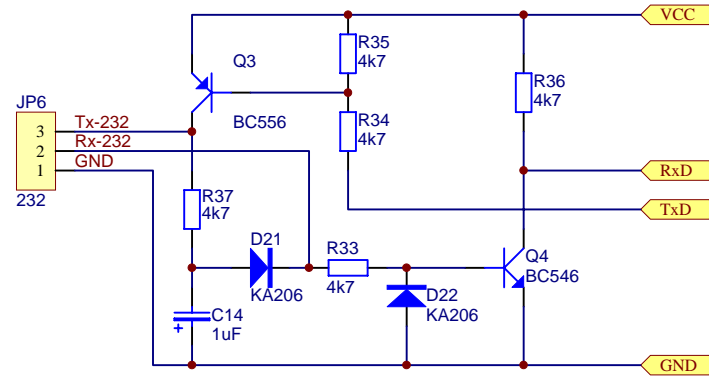


Title		
ATMEL - KIT 2051		
Size	Number	Revision
A4		
Date:	19-Sep-2000	Sheet of
File:	D:\Project D-drive\Atmel\2051\Atmel-KIT-2051.DDB	2051.DDB



Title		
Size	Number	Revision
A4		
Date:	19-Sep-2000	Sheet of
File:	D:\Project D-drive\Atmel2051\Atmel-KID-2051.DDB	